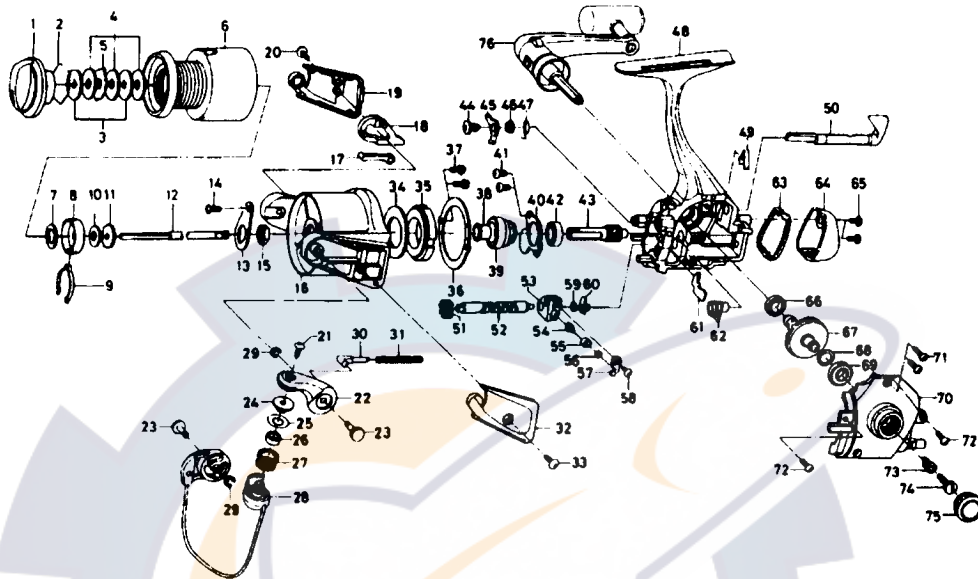


SPINNING REEL **EMBLEM-Z3500iT/4000iT**



Key No.	Parts No.	Parts Name	Key No.	Parts No.	Parts Name
2-6	F52-5901	Spool assembly	43	F26-5101	Pinion gear
1	F20-4608	Drag knob	44	L00-1801	Anti-reverse pawl screw
2	170-4101	Drag washer retainer	45	F18-1801	Anti-reverse pawl
3	E27-7801	Key washer	46	F18-1701	Anti-reverse pawl collar
4	B36-0204	Drag washer	47	F37-4501	Anti-reverse pawl spring
5	372-3832	Eared washer	48	F52-5701	Body assembly
6	F52-6001	Spool assembly	49	E32-7801	Anti-reverse cam spring
7	E39-7901	Spool washer	50	F18-1005	Anti-reverse lever
8	E12-2302	Click leaf spring holder	51	E42-0501	Worm shaft gear
9	B74-7702	Spool click leaf spring	52	F30-7802	Worm shaft
10	375-4202	Main shaft washer	53	E37-6301	Oscillating slider
11	E41-3101	Click gear	54	E19-1203	Oscillating pawl
12	F86-5801	Main shaft	55	E19-1301	Oscillating pawl bush
13	F18-9601	Rotor nut holding plate	56	375-0801	Oscillating pawl washer
14	B93-3001	Rotor nut holding plate screw	57	E37-6901	Oscillating slider cove
15	B10-5701	Rotor nut	58	E40-1501	Oscillating slider cover screw
16	F49-9903	Rotor assembly	59	B53-6103	Worm shift washer
17	F08-0702	Bail trip plate	60	F05-6901	Worm shaft collar
18	F48-2301	Bail trip lever	61	E48-2801	Shield plate
19	F50-0503	Bail trip cover	62	E48-2701	Pinion collar
20	F38-5102	Bail trip cover screw	63	F18-3407	Water shield
21	B67-9308	Line roller screw	64	F18-3509	Rear cover
22	F48-1903	Bail arm	65	E36-4202	Rear cover screw
23	F48-7501	Bail arm screw	66	B86-1701	Ball bearing C
24	F44-6303	Line roller collar	67	E41-8603	Drive gear
25	F44-6202	Line roller washer	68	373-7802	Drive gear washer
26	F05-5601	Ball bearing A	69	E15-4001	Ball bearing D
27	F45-4902	Line roller	70	F18-2308	Side cover
28	F52-5202	Bail assembly	71	E15-8602	Side cover screw A
29	320-5901	Bail trip cam screw retainer	72	E15-7502	Side cover screw B
30	F24-6801	Ball spring shaft	73	F43-3502	Handle collar
31	F36-2501	Bail spring	74	363-8511	Handle screw
32	F50-0203	Bail spring cover	75	F18-3904	Handle cap
33	E24-8101	Bail spring cover screw	76	F52-5801	Handle assembly
34	F19-7302	Oiled washer			
35	F18-2901	Roller clutch			
36	F18-3001	Roller clutch retainer			
37	E15-7502	Roller clutch retainer screw			
38	F18-1301	Spacing sleeve			
39	F18-1401	Anti-reverse ratchet			
40	F18-1201	Bearing retainer			
41	B83-4402	Bearing retainer screw			
42	635-4801	Ball bearing B			

Z4000iT SPECIAL PARTS			
Key No.	Parts No.	Parts Name	Parts Name
2-6	F52-6901	Spool assembly	Spool assembly
6	F52-7001	Spool assembly	Spool assembly
16	F50-0603	Rotor assembly	Rotor assembly
28	F52-6602	Bail assembly	Bail assembly